

Applicable Model

R23C
(Wall Mounting)

Drawing Title

Intercom Panel

Drawing Unit

mm

Drawing Scale

Not to scale

**DRAFT
SUBJECT TO
CHANGE**

Last Revised

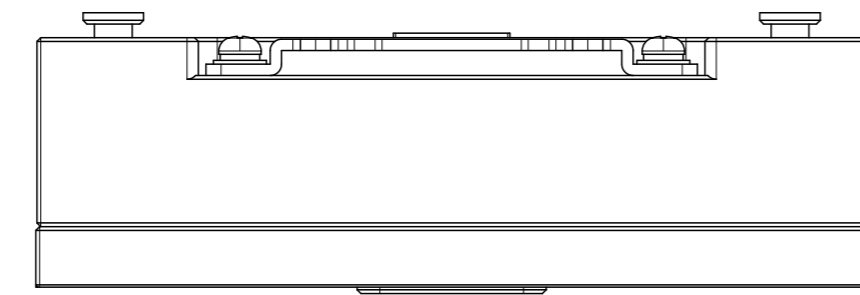
December 31, 2019

Drawing Version

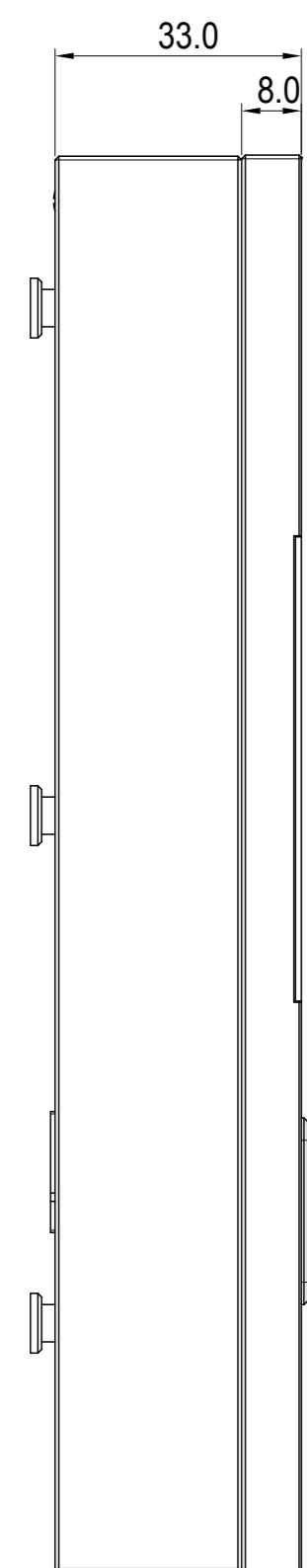
V1.0

Page

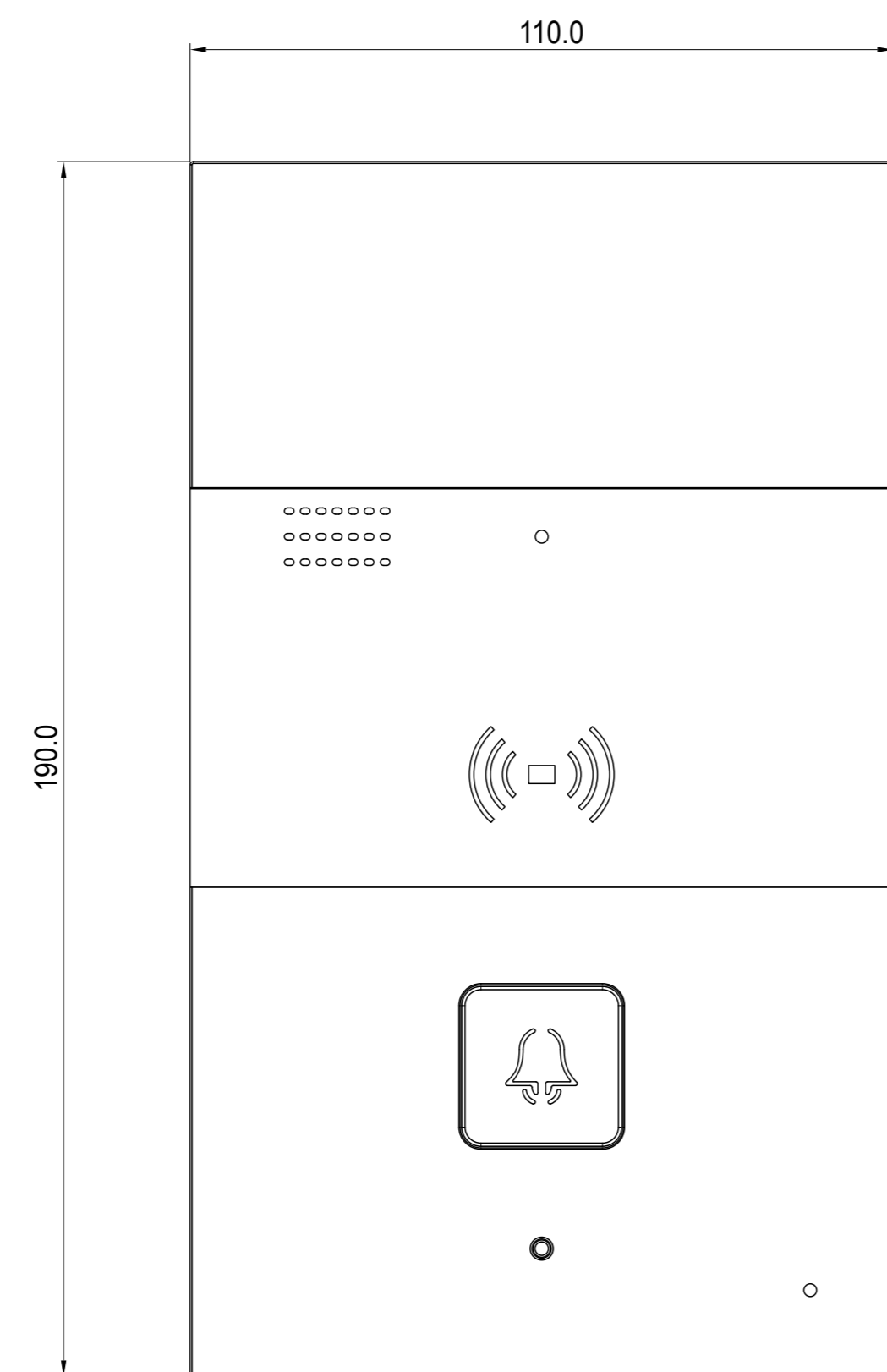
1 of 3



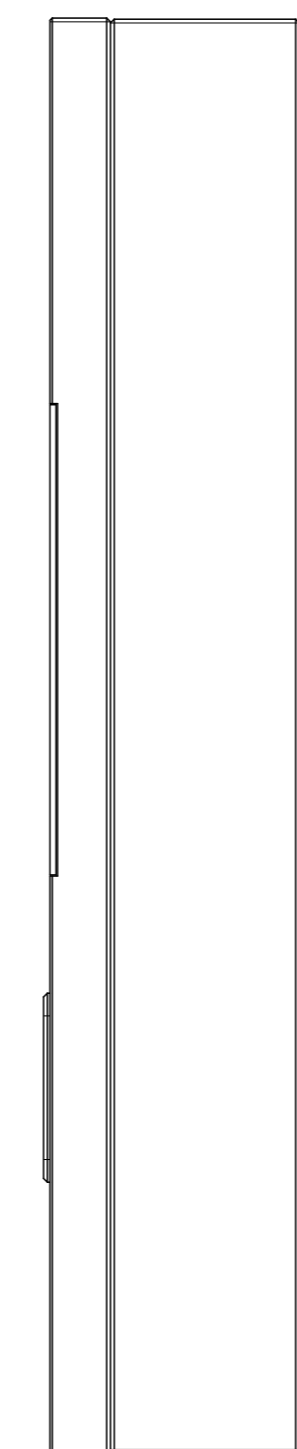
5 TOP VIEW



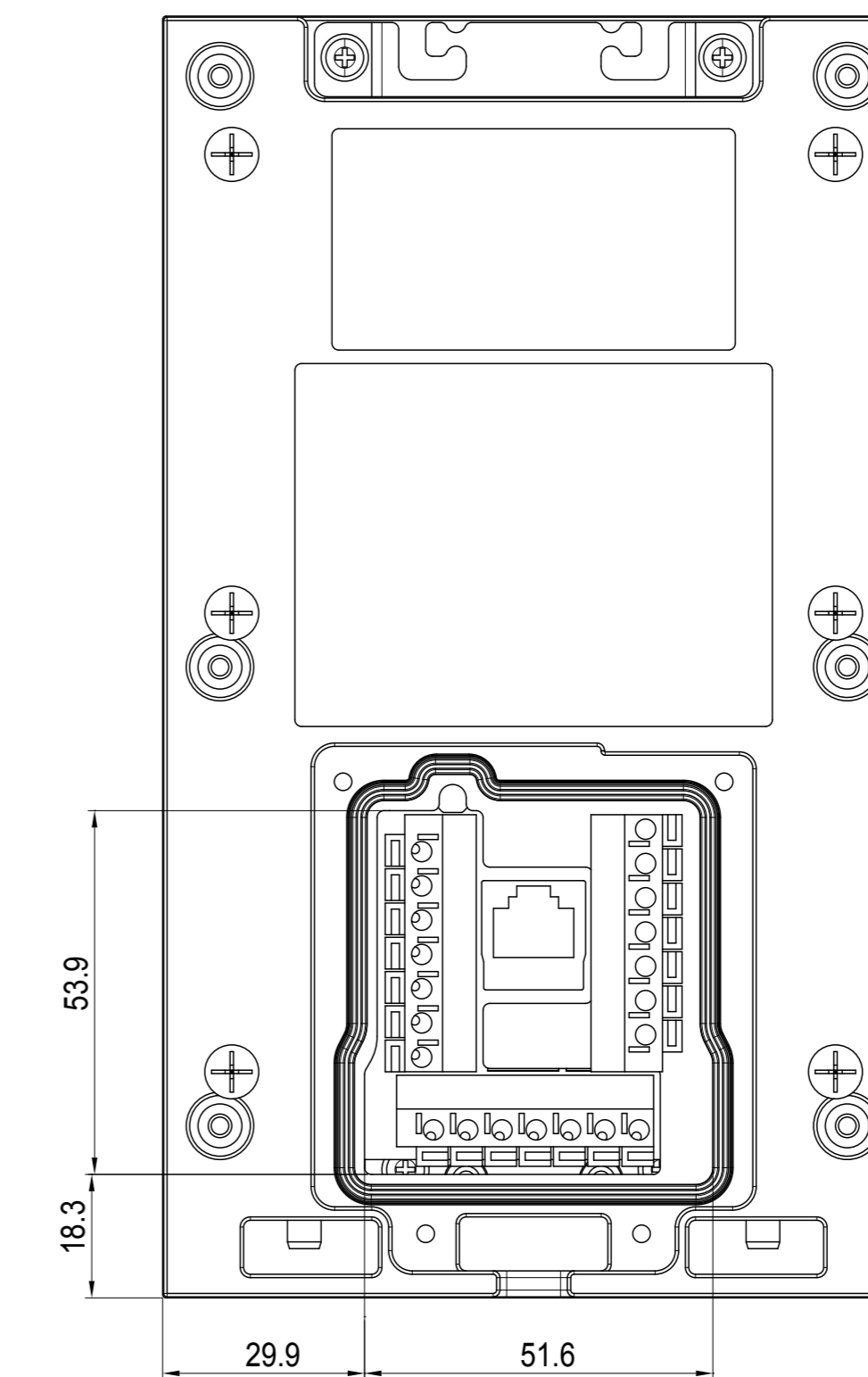
2 RIGHT VIEW



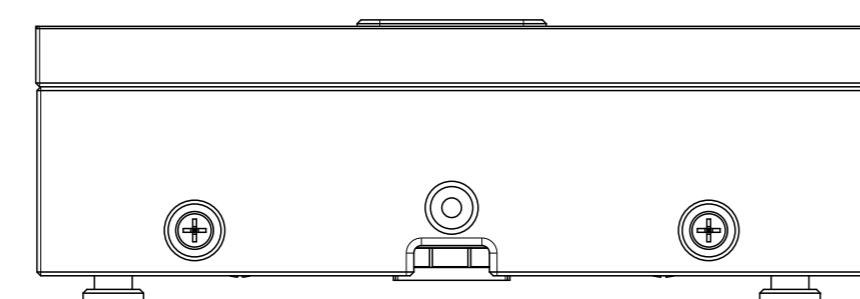
1 FRONT VIEW



3 LEFT VIEW



4 BACK VIEW



6 BOTTOM VIEW

Applicable Model

R23C
(Wall Mounting)

Drawing Title

Wall Mounting Bracket

Drawing Unit

mm

Drawing Scale

Not to scale

**DRAFT
SUBJECT TO
CHANGE**

Last Revised

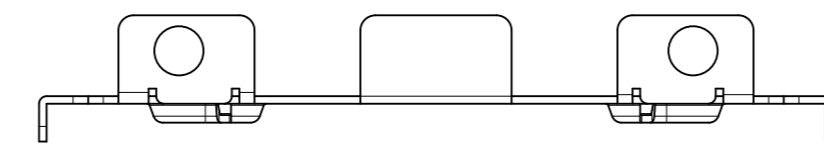
December 31,2019

Drawing Version

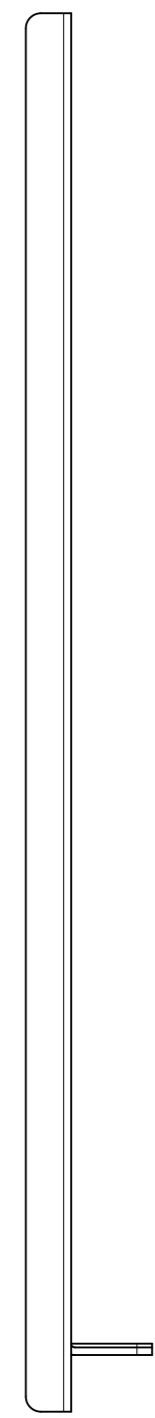
V1.0

Page

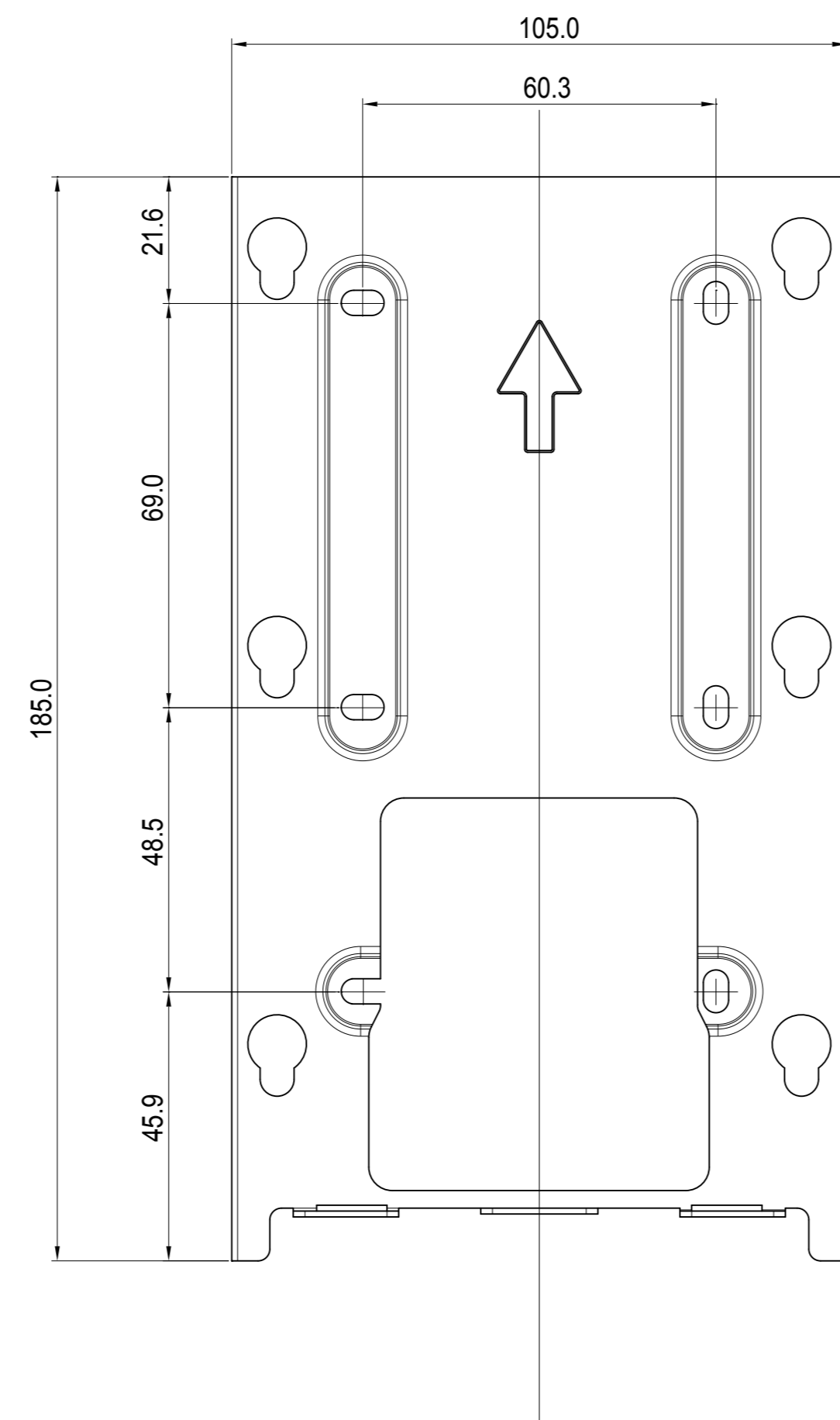
2 of 3



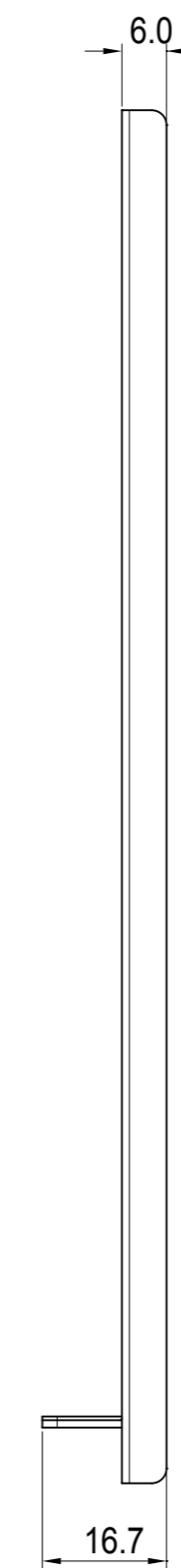
5 TOP VIEW



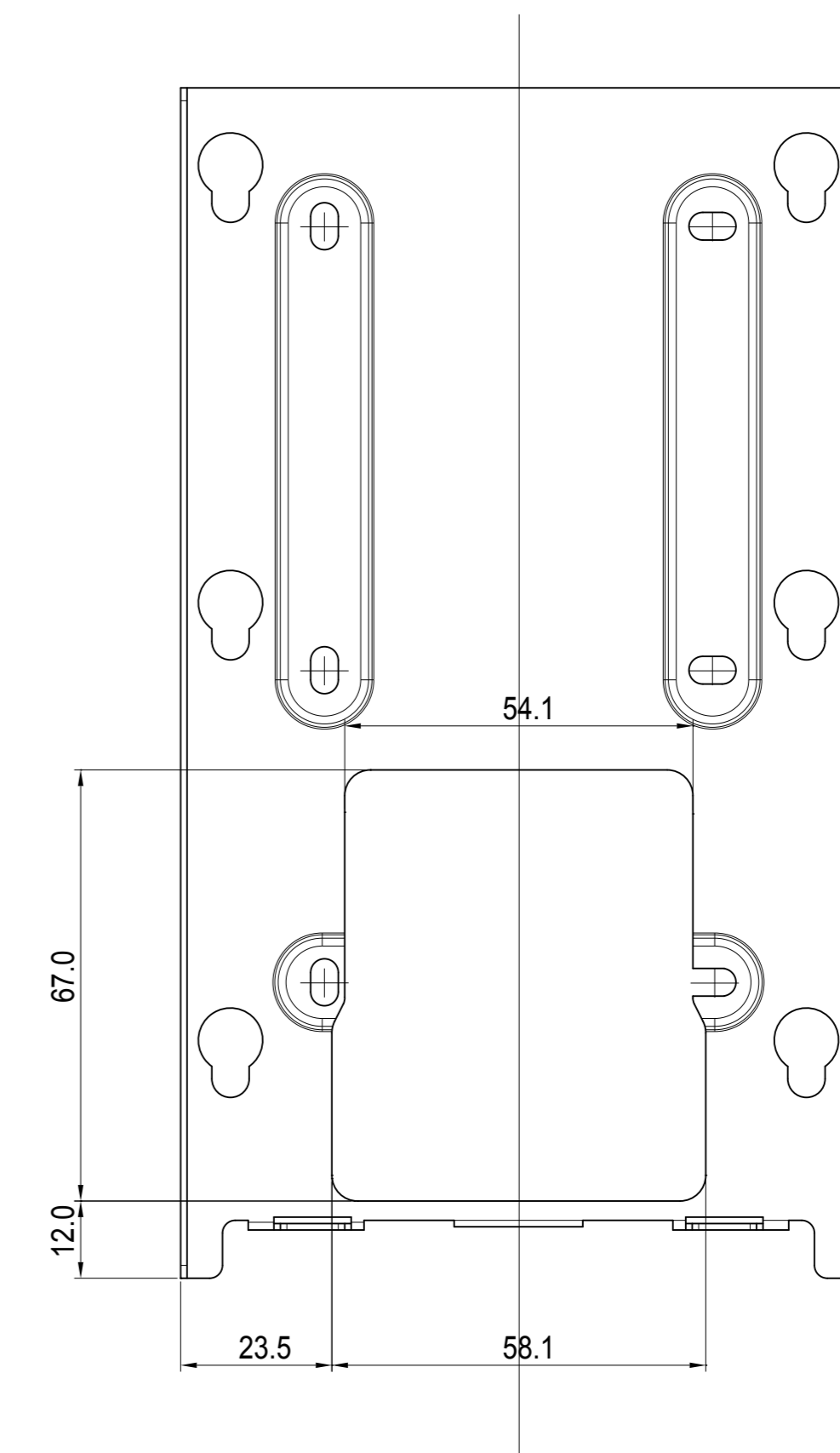
2 RIGHT VIEW



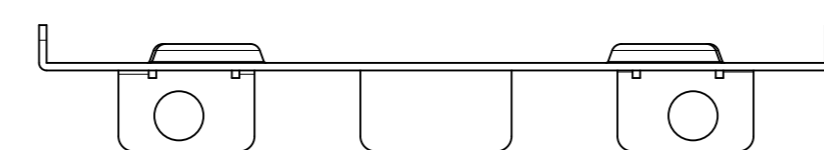
1 FRONT VIEW



3 LEFT VIEW



4 BACK VIEW



6 BOTTOM VIEW

Applicable Model

R23C
(Wall Mounting)

Drawing Title

Placement

Drawing Unit

mm

Drawing Scale

Not to scale

**DRAFT
SUBJECT TO
CHANGE**

Last Revised

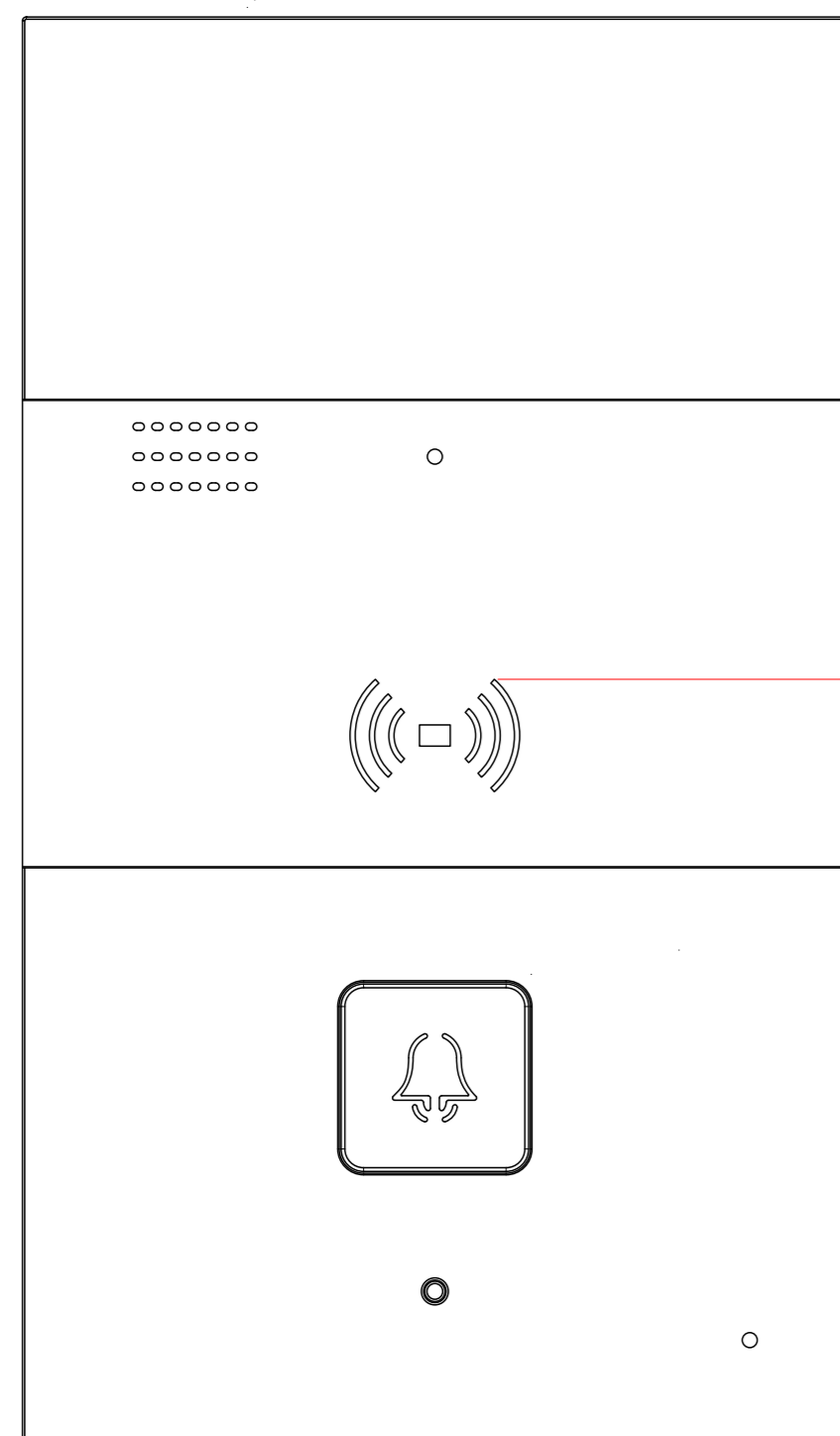
December 31,2019

Drawing Version

V1.0

Page

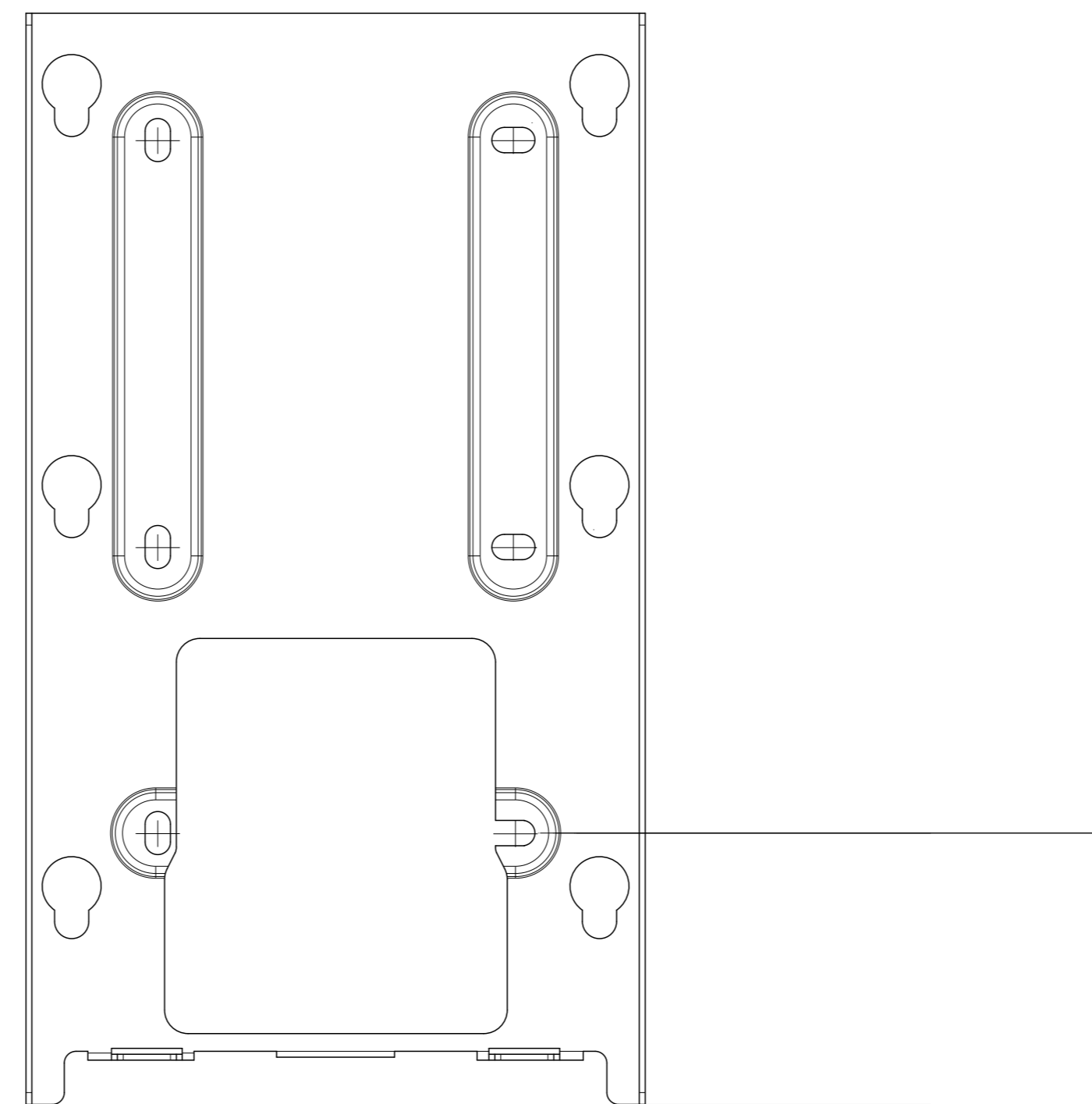
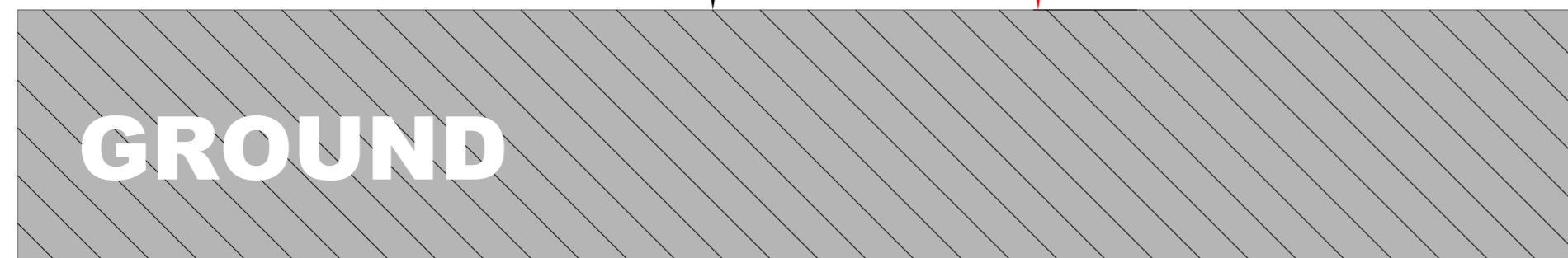
3 of 3



1121mm TO BOTTOM OF PANEL

1220mm MAX TO TOP OF USABLE PARTS

ADA Compliance Requirement



1124mm TO BOTTOM OF BRACKET

1218mm TO SCREW HOLE CENTER OF BRACKET

