

**Applicable Model**

R23P  
(Flush Mounting)

**Drawing Title**

Intercom Panel

**Drawing Unit**

mm

**Drawing Scale**

Not to scale

**DRAFT  
SUBJECT TO  
CHANGE**

**Last Revised**

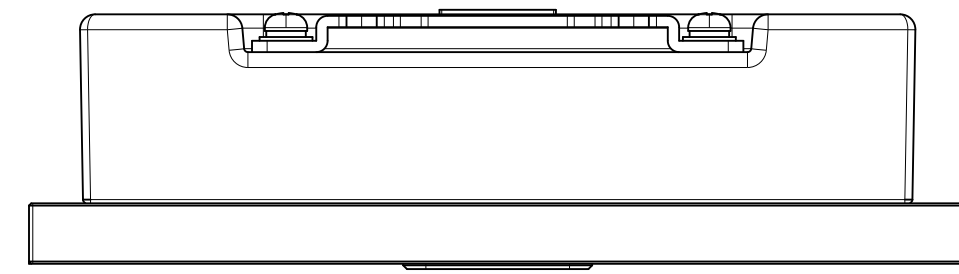
December 31,2019

**Drawing Version**

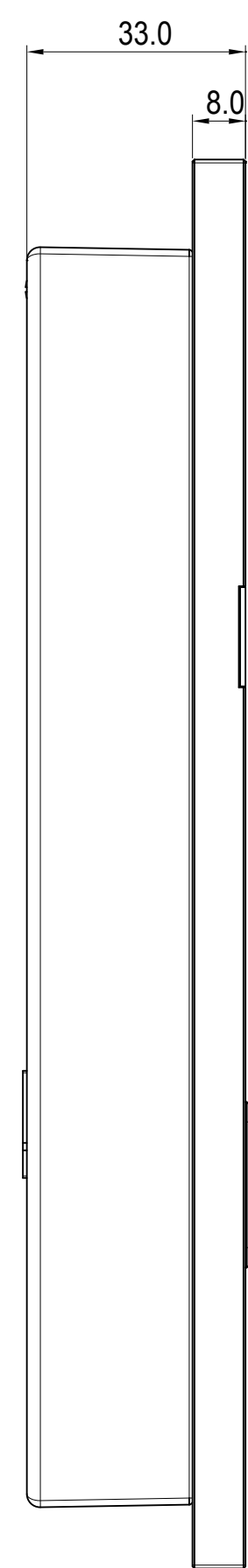
V1.0

**Page**

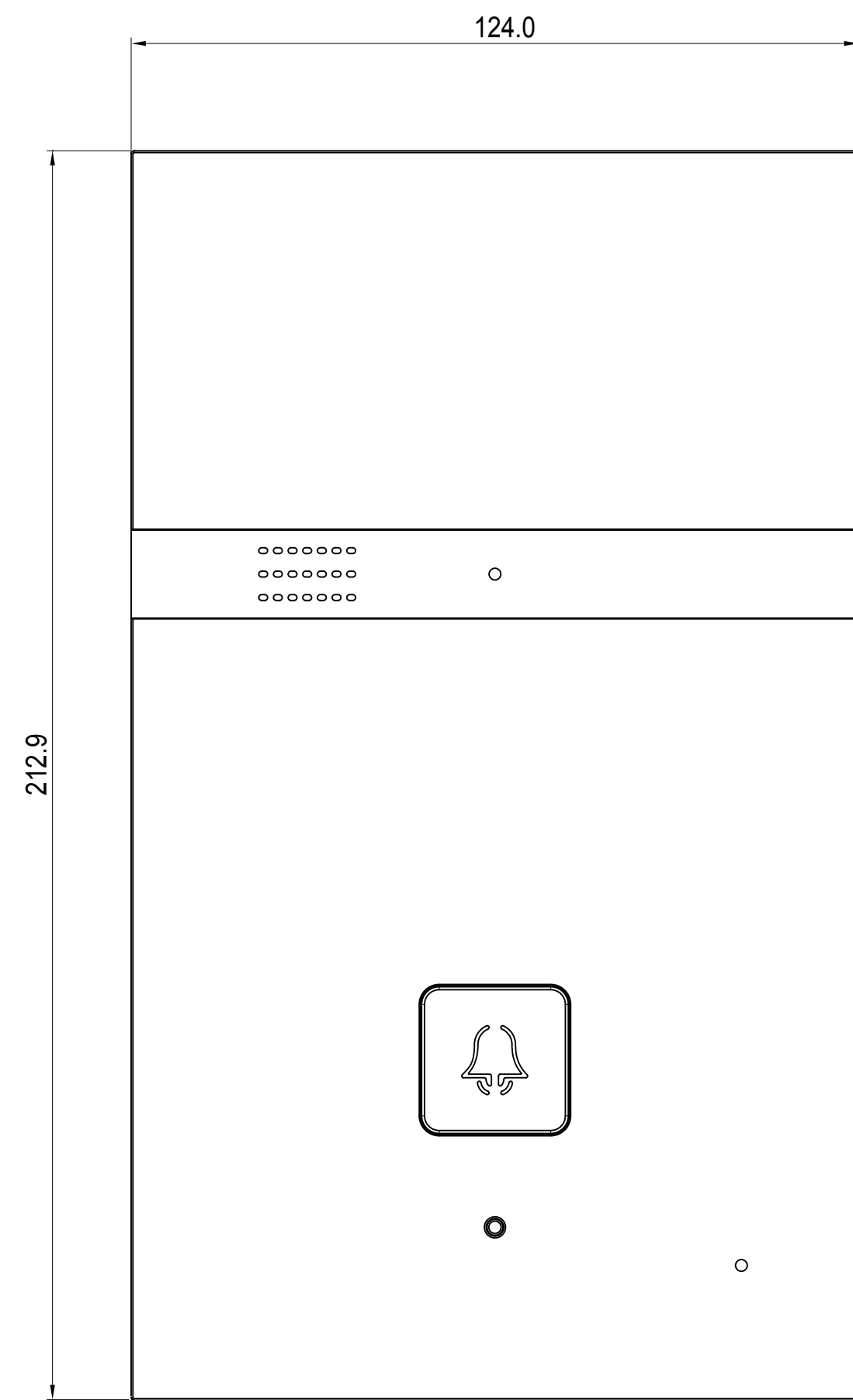
1 of 4



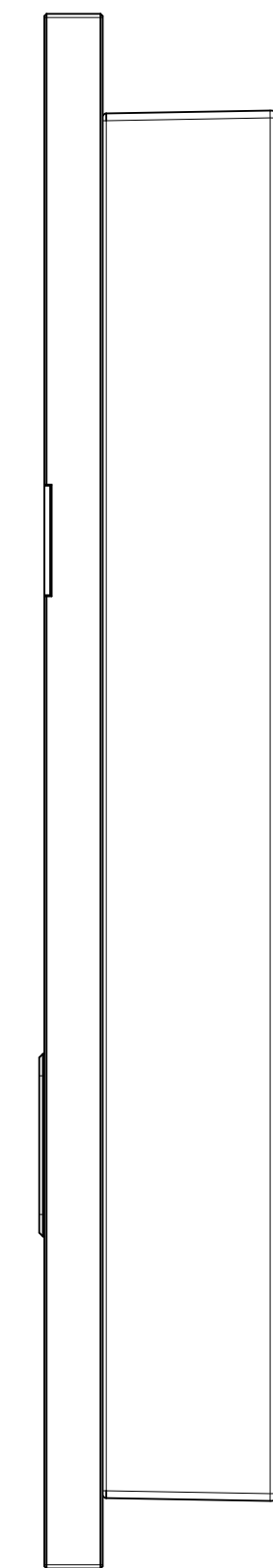
5 TOP VIEW



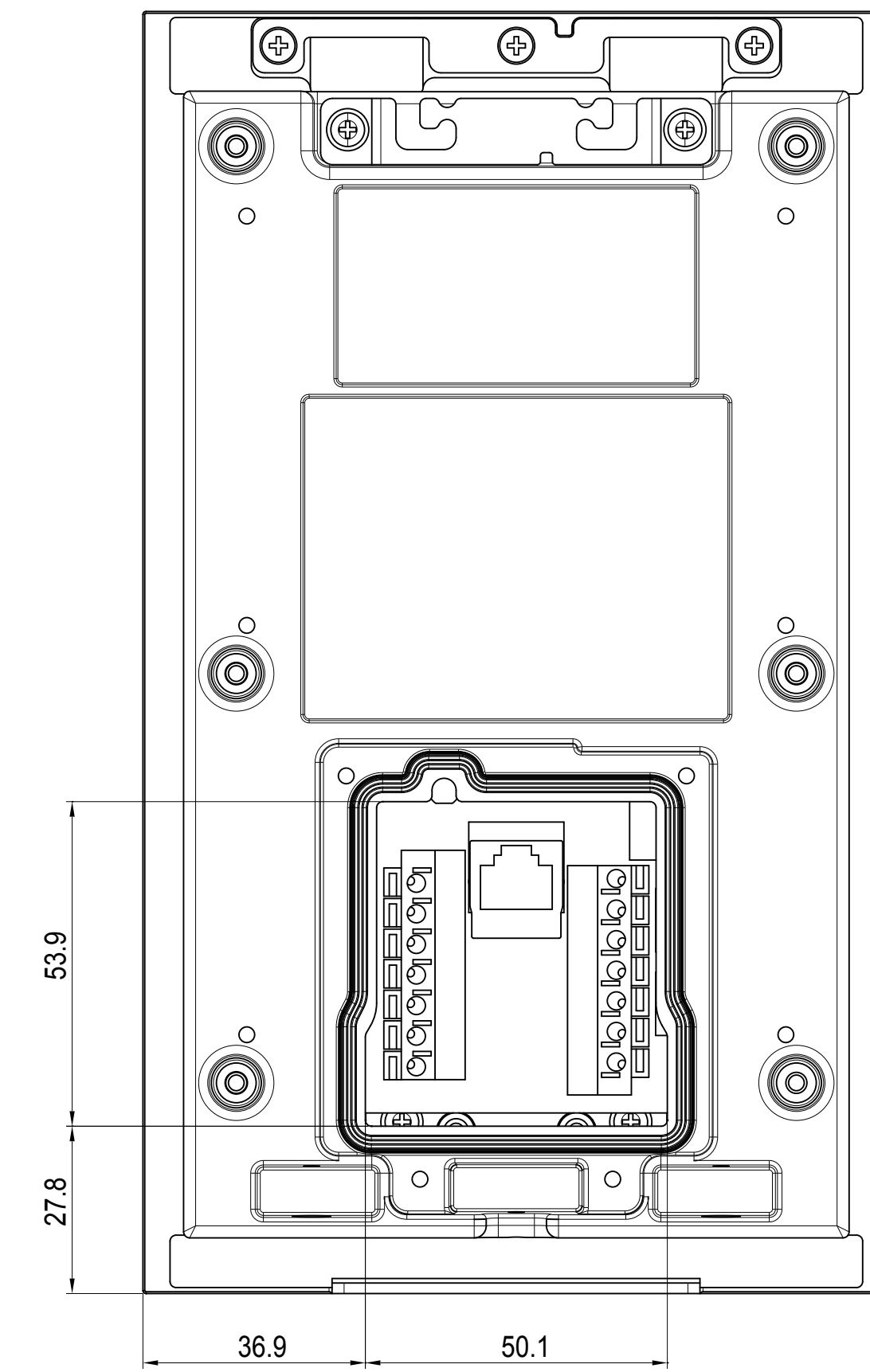
2 RIGHT VIEW



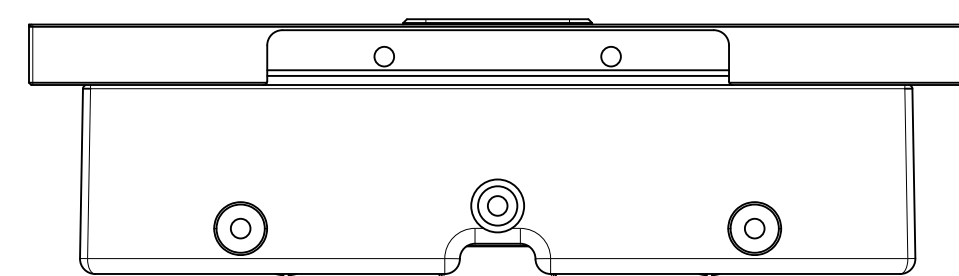
1 FRONT VIEW



3 LEFT VIEW



4 BACK VIEW



6 BOTTOM VIEW

**Applicable Model**

R23P  
(Flush Mounting)

**Drawing Title**

Flush Mounting Bracket

**Drawing Unit**

mm

**Drawing Scale**

Not to scale

**DRAFT  
SUBJECT TO  
CHANGE**

**Last Revised**

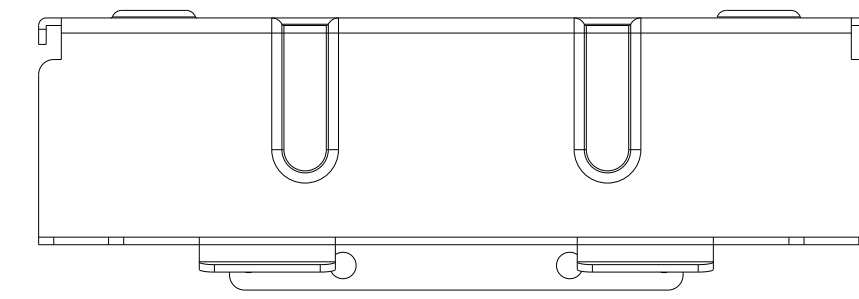
December 31,2019

**Drawing Version**

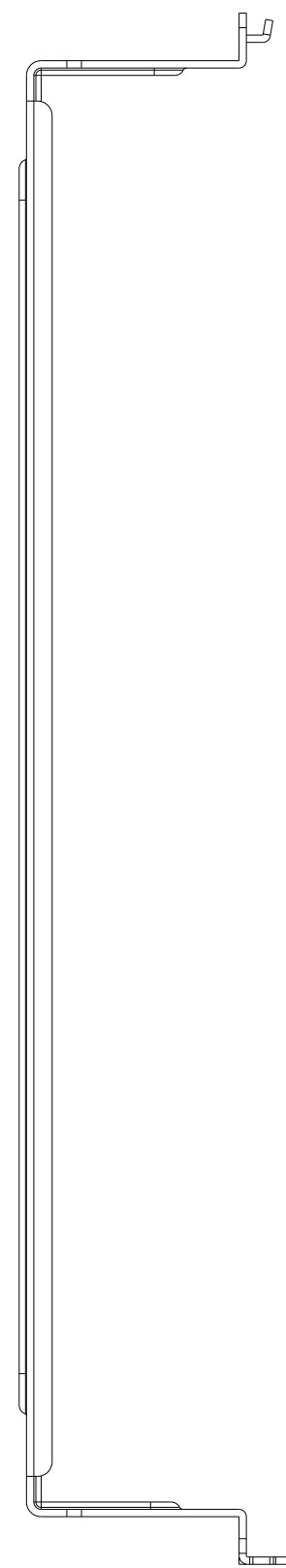
V1.0

**Page**

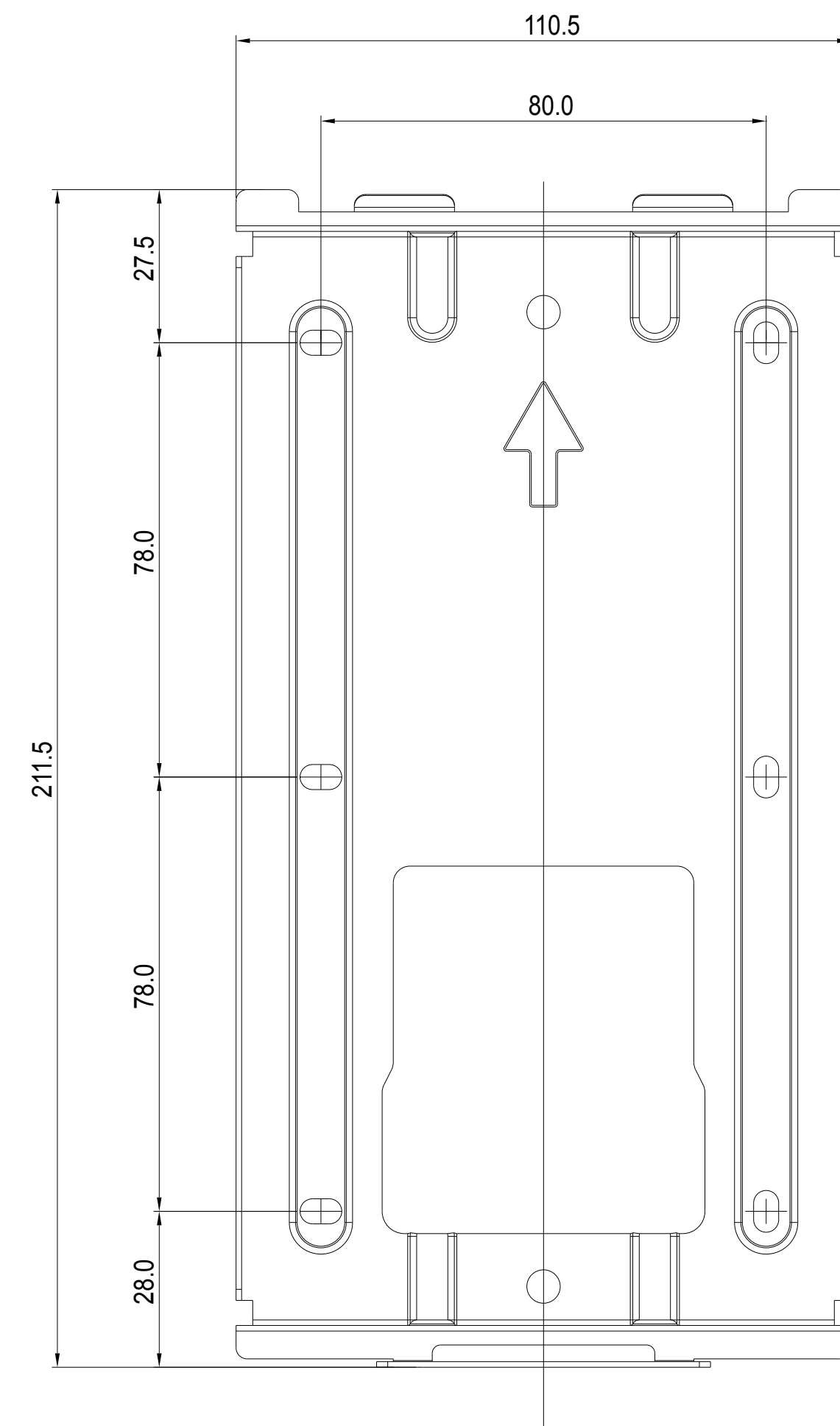
2 of 4



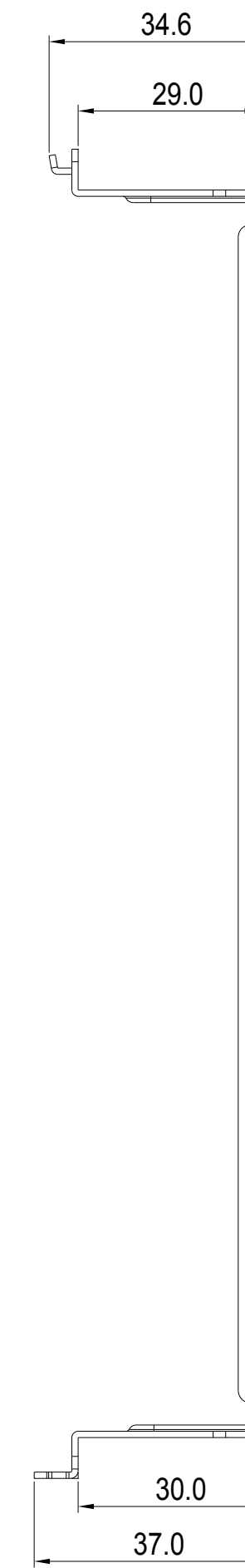
5 TOP VIEW



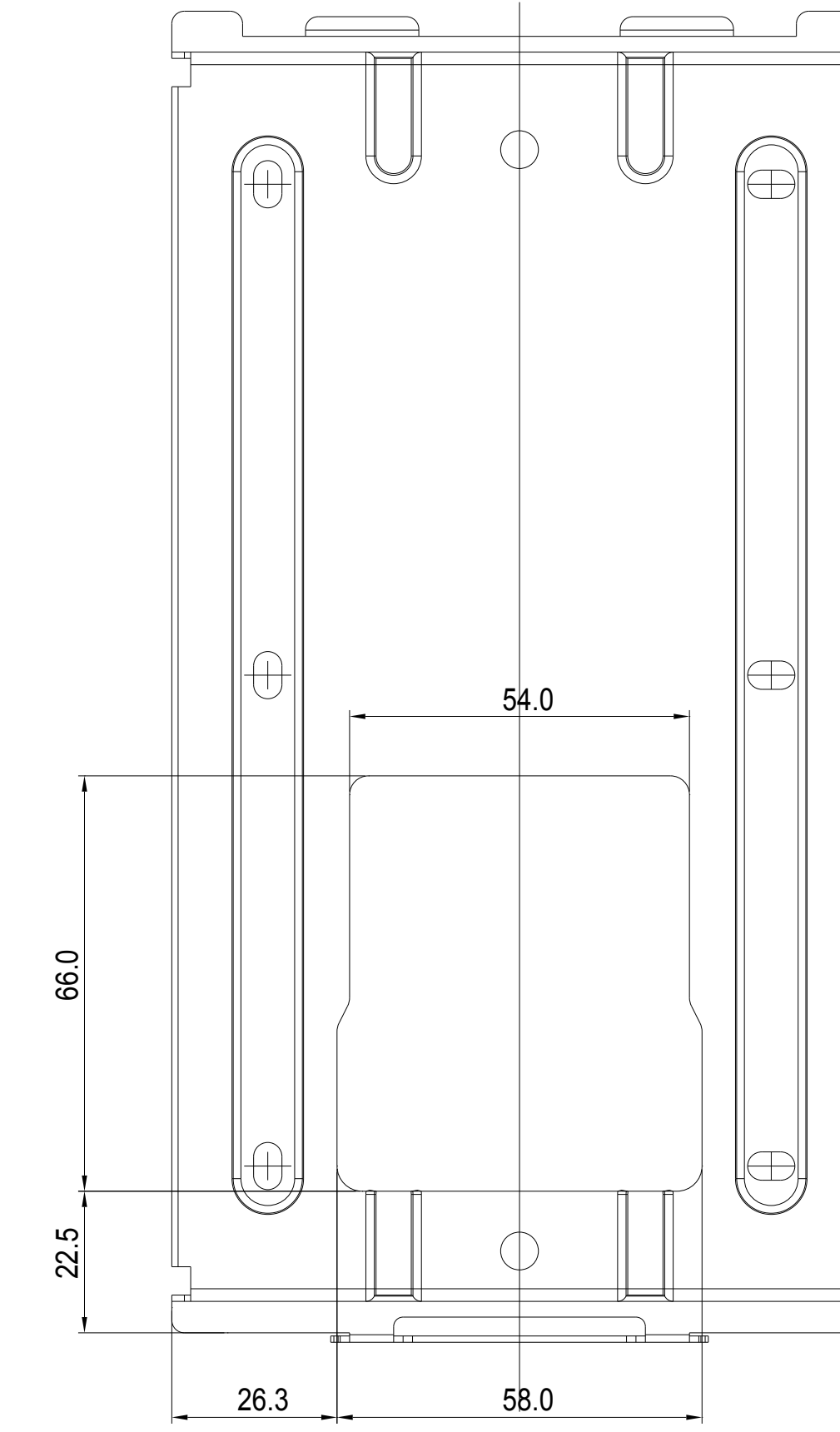
2 RIGHT VIEW



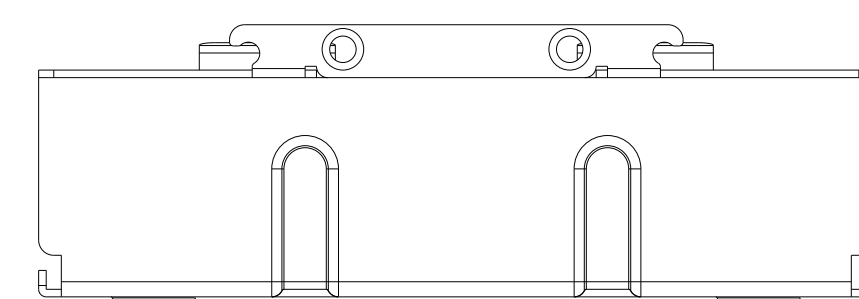
1 FRONT VIEW



3 LEFT VIEW



4 BACK VIEW



6 BOTTOM VIEW

**Applicable Model**

R23P  
(Flush Mounting)

**Drawing Title**

Flush Mounting Box

**Drawing Unit**

mm

**Drawing Scale**

Not to scale

**DRAFT  
SUBJECT TO  
CHANGE**

**Last Revised**

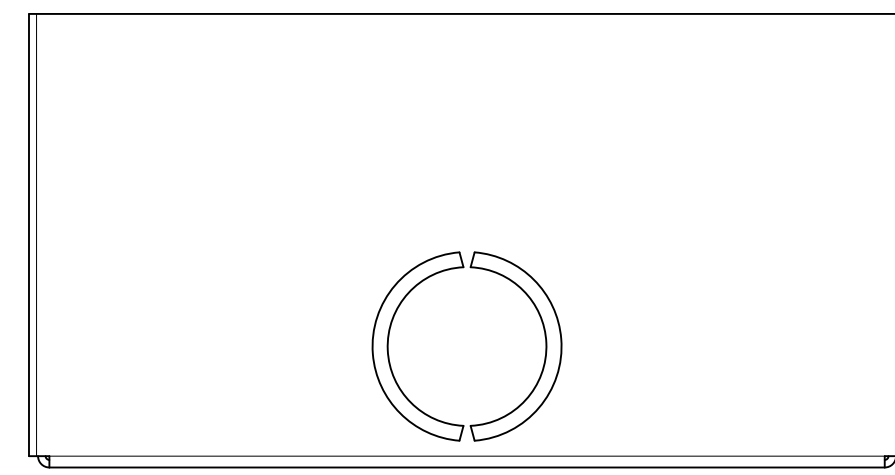
December 31,2019

**Drawing Version**

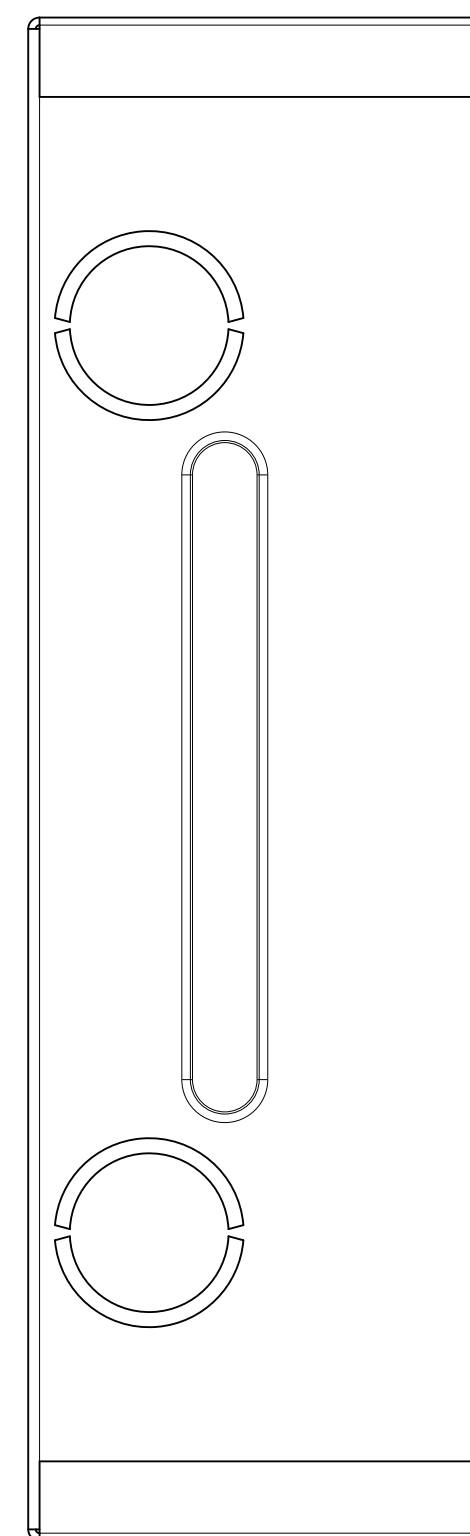
V1.0

**Page**

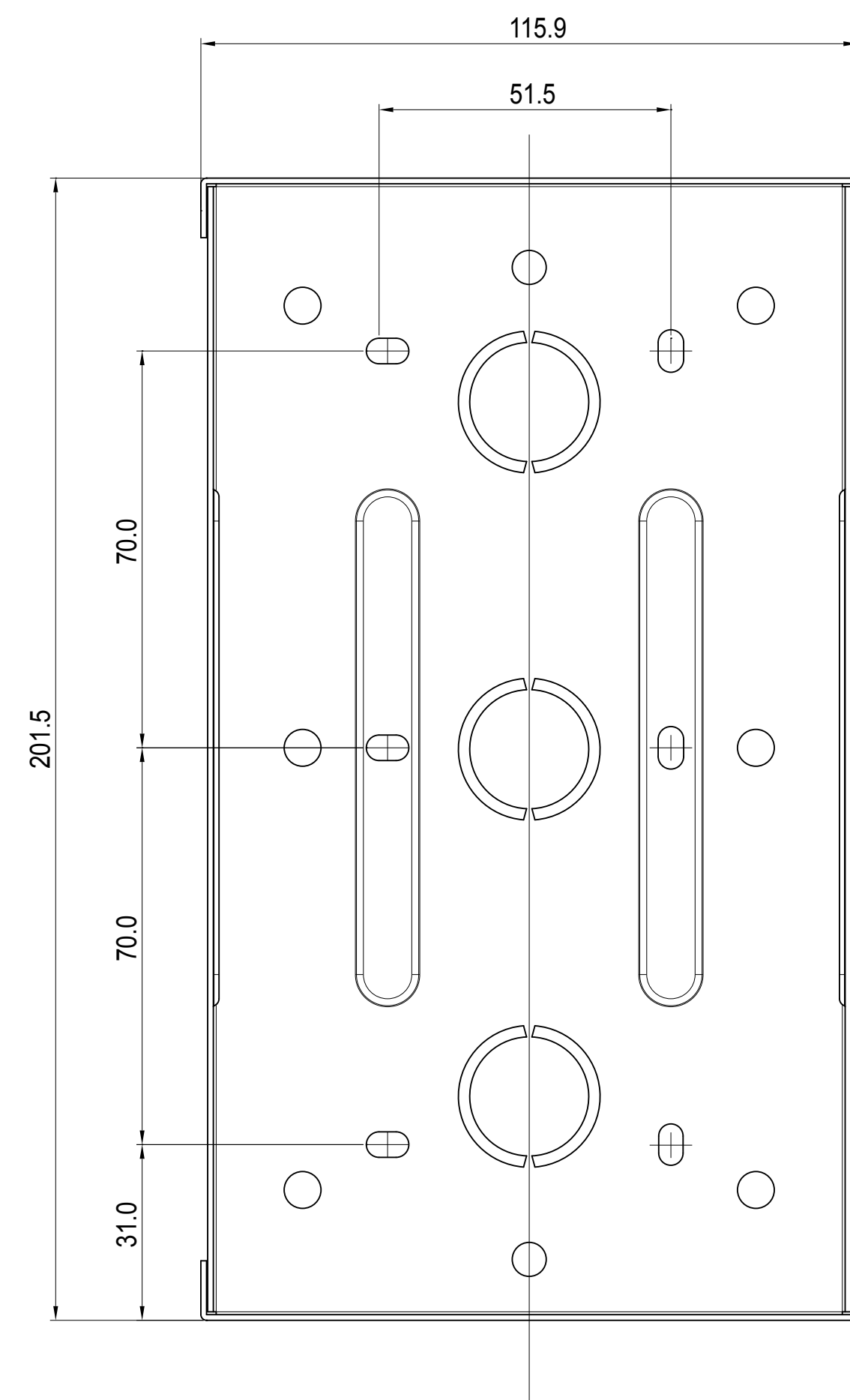
3 of 4



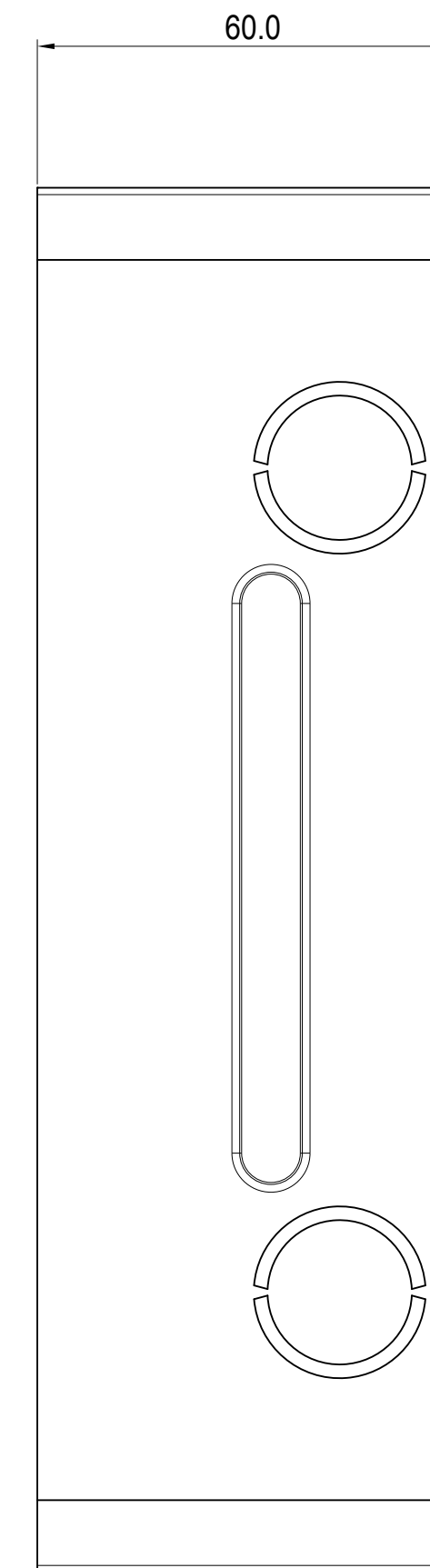
5 TOP VIEW



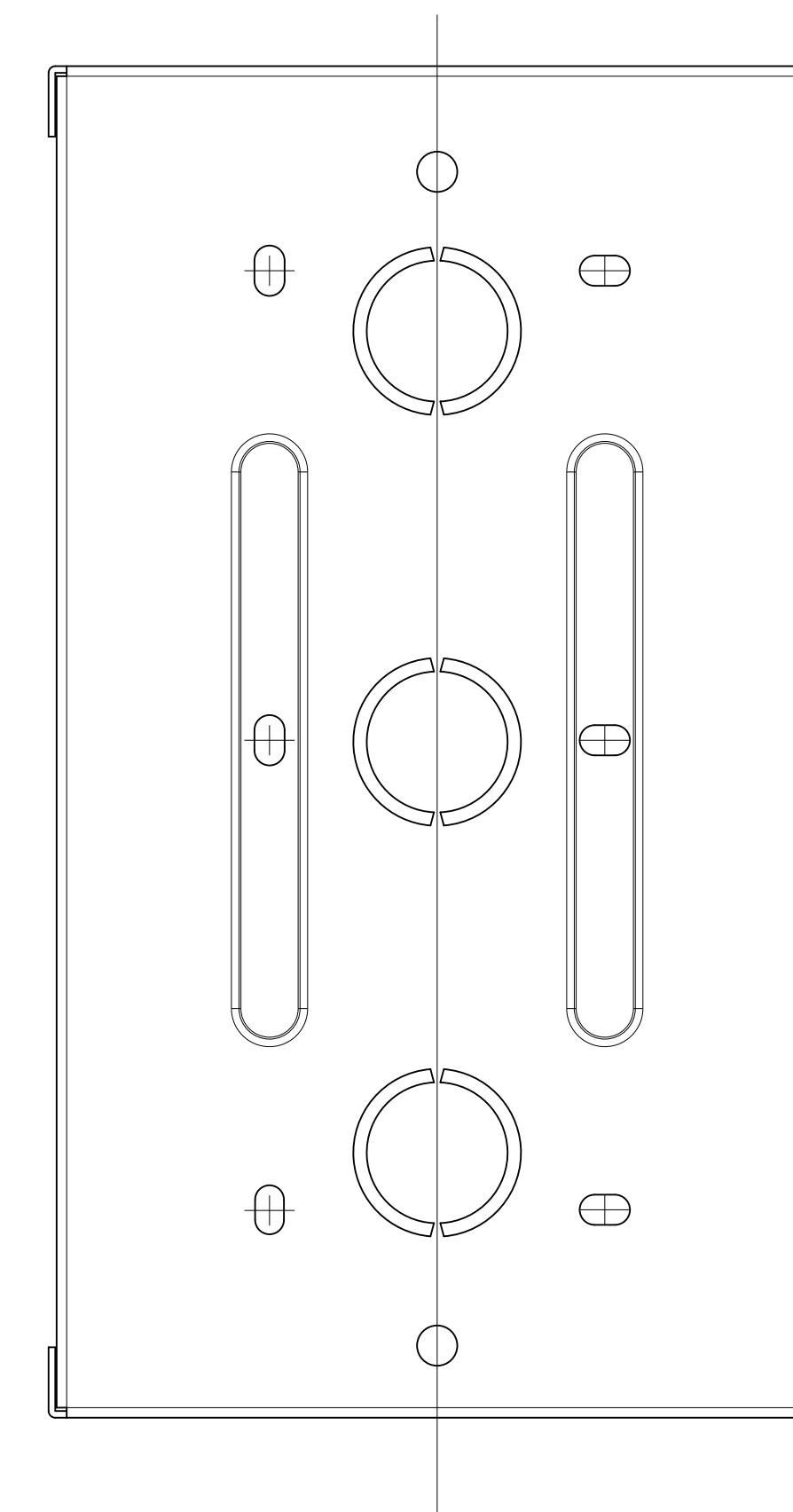
2 RIGHT VIEW



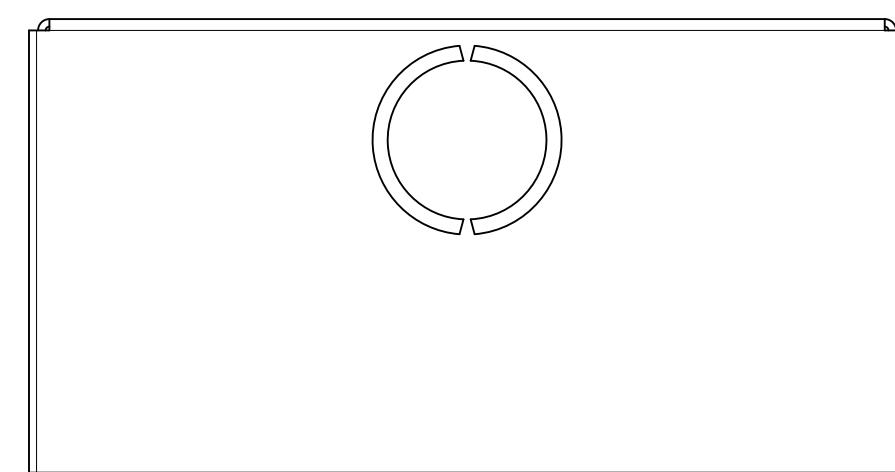
1 FRONT VIEW



3 LEFT VIEW



4 BACK VIEW



6 BOTTOM VIEW

**Applicable Model**

R23P  
(Flush Mounting)

**Drawing Title**

Placement

**Drawing Unit**

mm

**Drawing Scale**

Not to scale

**DRAFT  
SUBJECT TO  
CHANGE**

**Last Revised**

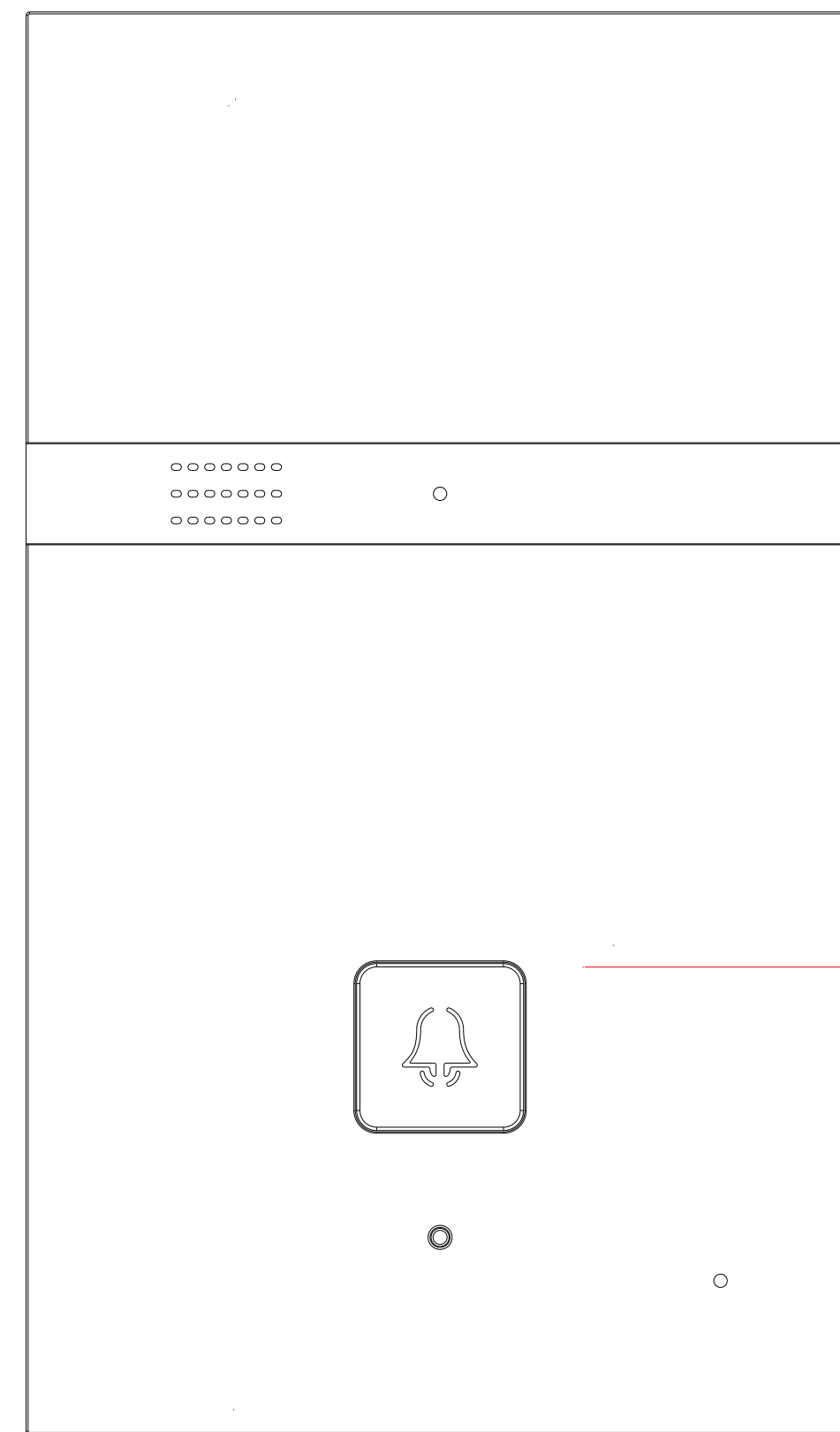
December 31,2019

**Drawing Version**

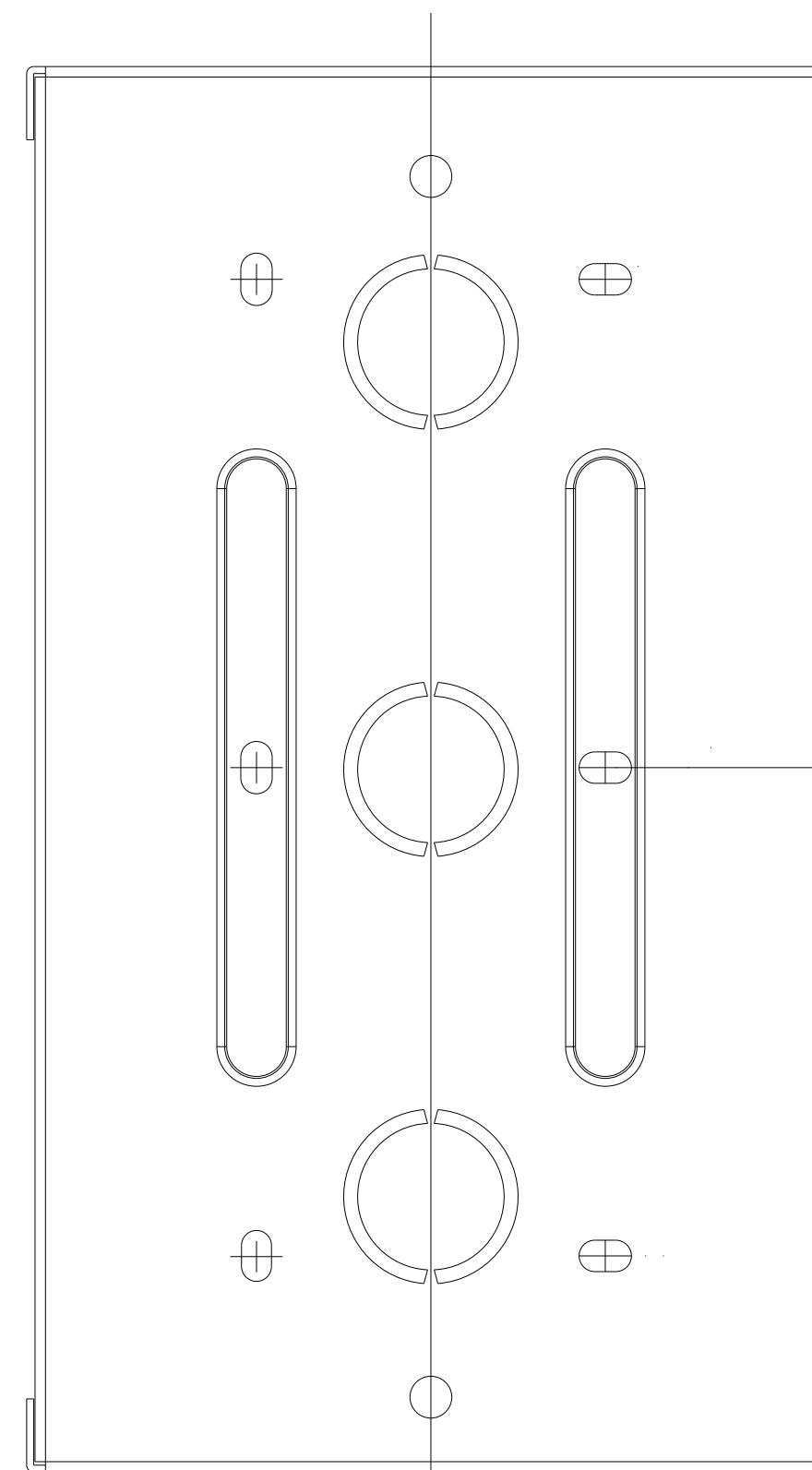
V1.0

**Page**

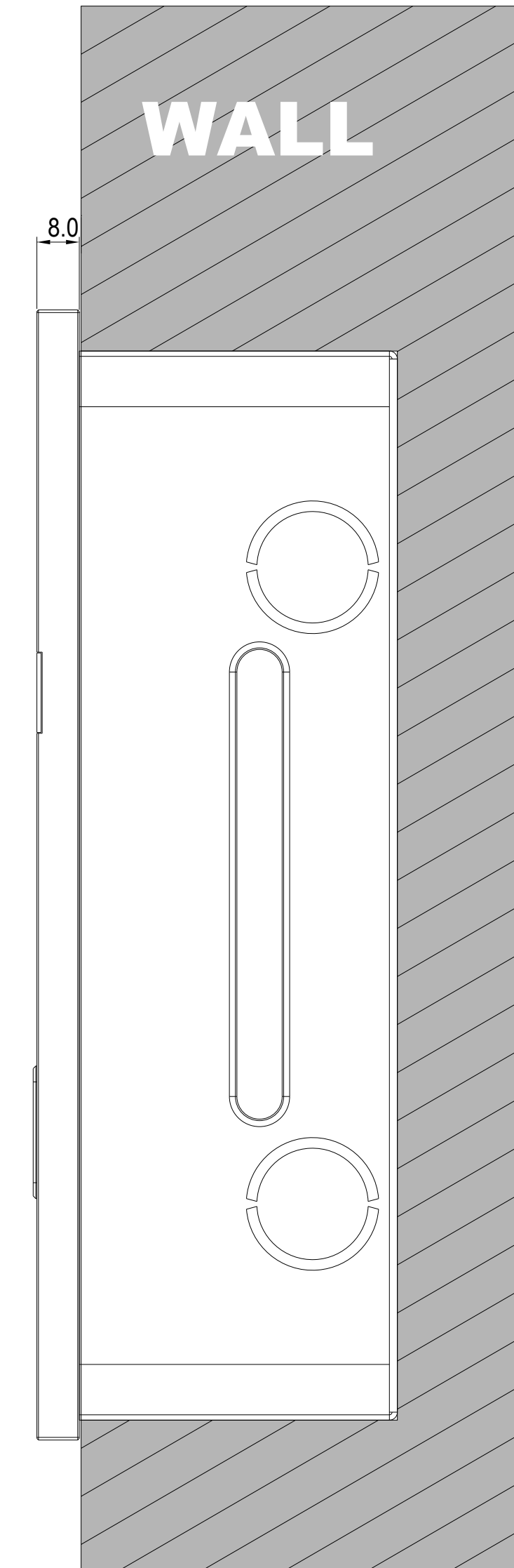
4 of 4



1 INTERCOM PANEL FRONT VIEW



2 FRONT VIEW: FLUSH MOUNTING BOX PLACEMENT



3 SIDE VIEW:INTERCOM IN WALL

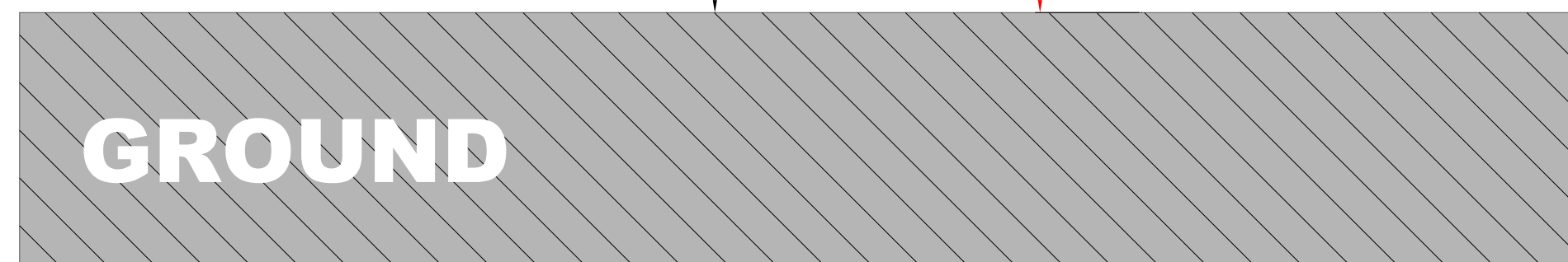
1111mm TO BOTTOM OF PANEL

1179mm MAX TO TOP OF USABLE BUTTON

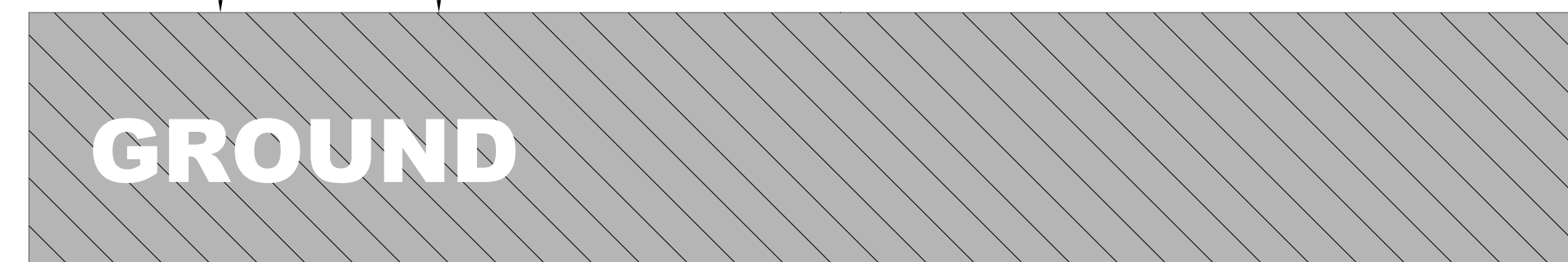
ADA Compliance Requirement

1117mm TO BOTTOM OF CASE

1218mm TO SCREW HOLE CENTER OF CASE



**GROUND**



**GROUND**